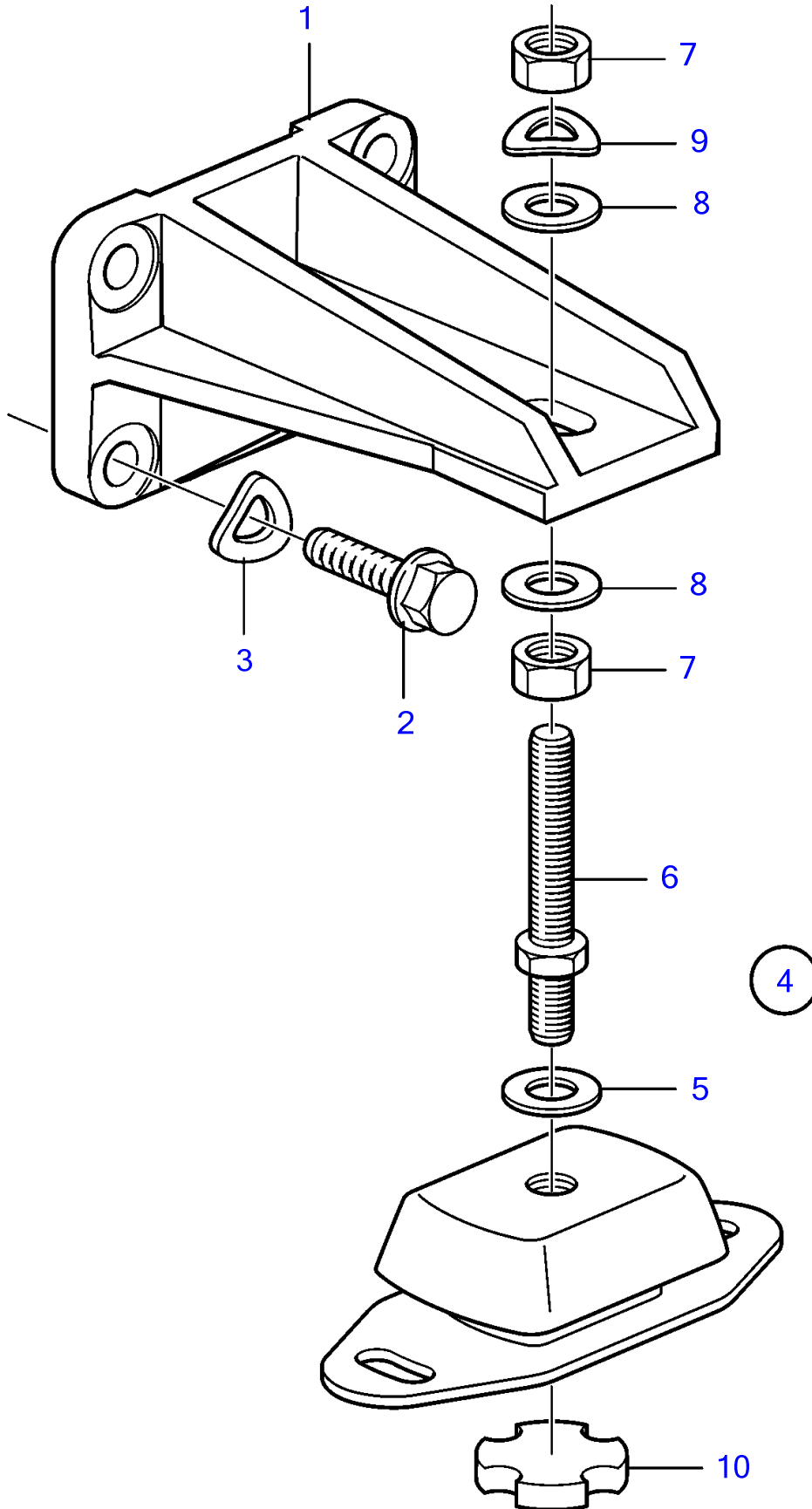


KAD43P-A, KAD44P-A, KAD44P-B, KAD44P-C,



KAD43P-A, KAD44P-A, KAD44P-B, KAD44P-C,

REF	PART NO.	QTY	DESCRIPTION	NOTES
1	3580748	2	Engine bracket	
2	965192	7	Flange screw	L=40mm
	965193	1	Flange screw	L=50mm
3	940280	8	Spring washer	
4	858161	2	Rubber element	Ratio 2.15:1
5	955900	2	Washer	
6	860950	2	Adjusting screw	
7	955806	4	Hexagon nut	
8	955901	2	Washer	D=34mm
	978991	2	Washer	D=40mm
9	941913	2	Spring washer	
10	843299	2	Rubber disc	